

HIGH PRECISION CERAMIC MACHINING CENTER

VX 6500C



BASIC STRUCTURE

VX6500C has the Bridge type structure for high-performance, high-accuracy machining.

Travel distance

X axis

1050 mm (41.3 inch)

Y axis

650 mm (25.6 inch)

Z axis

550 mm (21.7 inch)

Rapid traverse rate

X axis

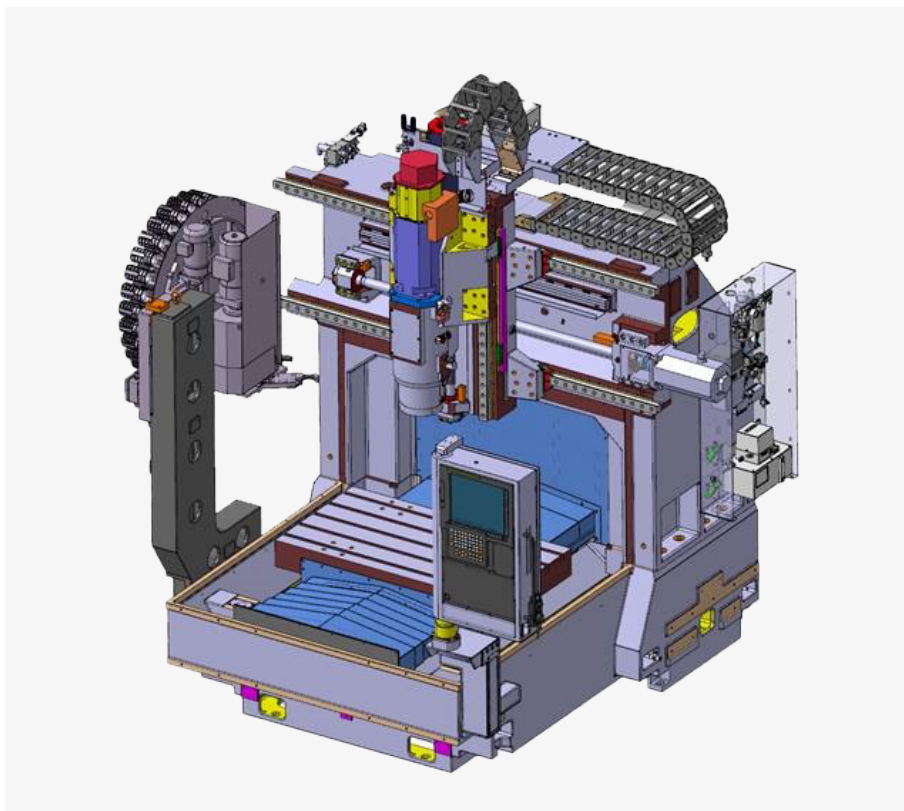
30 m/min (1181.1 ipm)

Y axis

30 m/min (1181.1 ipm)

Z axis

30 m/min (1181.1 ipm)



SPINDLE

The new spindle provides low noise and high precision performance.

Max. spindle speed

12000 r/min

20000, 30000, 40000 r/min OPTION

Max. Spindle power

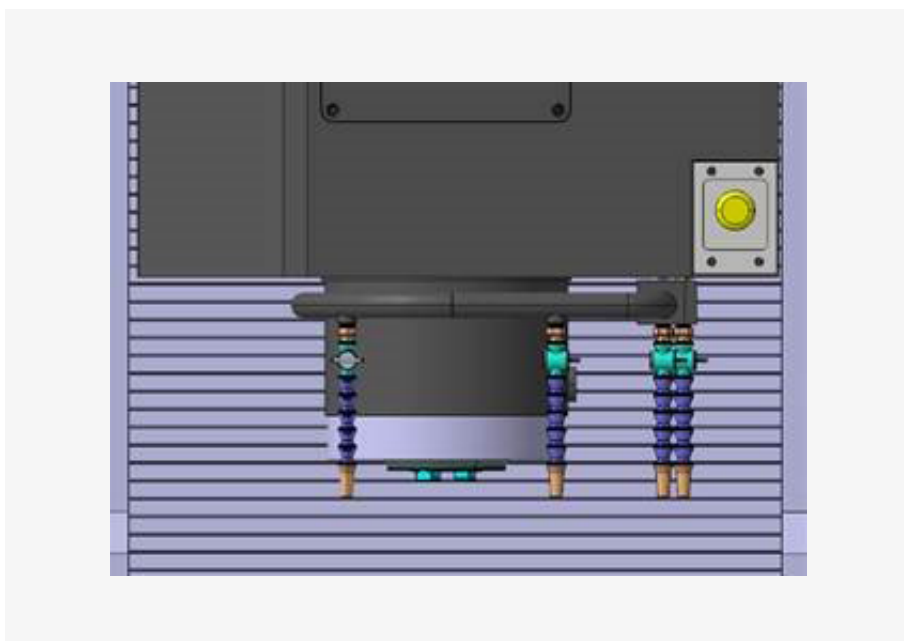
18.5/11 kW (24.8/14.8 Hp)

22/11, 18.5/13, 5.5/3.7 kW OPTION
(29.5/14.8, 24.8/17.4, 7.4/5.0 Hp)

Max. spindle torque

117.8 N·m (86.9 ft-lbs)

60, 5.9, 3.5 N·m OPTION
(44.3, 4.4, 2.6 ft-lbs)

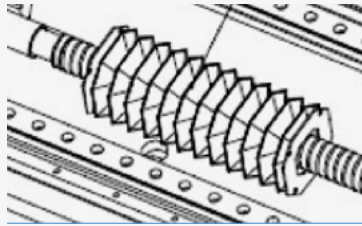


CERAMIC PACKAGE

Various protection package from ceramic dust which can effect to reliability and accuracy of axis and spindle.

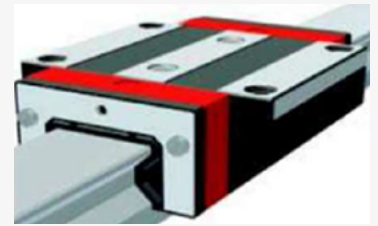
Protective device applied for outstanding linear axis accuracy of feed drive system.

1. Ball screw cover

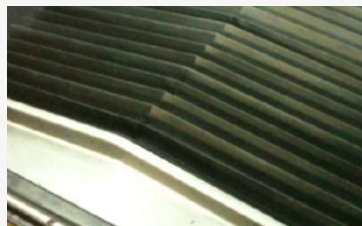


VX 6500C is capable of processing various high hardness/ high heat resistance ceramic materials such as Si (silicon), SiC (silicon carbide), aluminum oxide, and Quartz.

2. LM guide double wiper

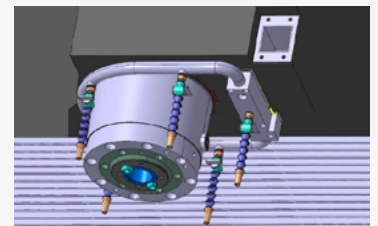


3. Y axis cover



4. Ring type flood coolant

Since coolant is sprayed from various directions, it is effective in removing sludge.

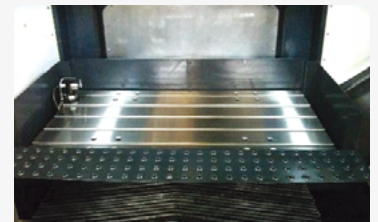


5. Oil lubrication



6. Table cover OPTION

Sludge can be piled up in a set range and is easy to clean.



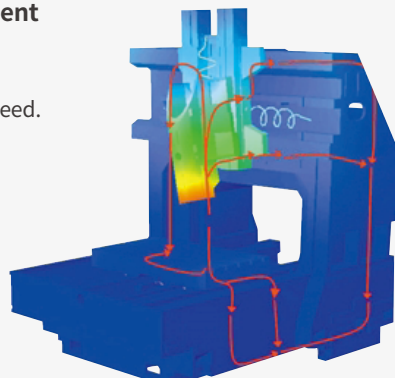
Realizes high-quality, high-precision machining with smoothing thermal displacement compensation of the spindle and structure.

Compensation of static displacement of spindle

Compensates in tool position caused by expansion of the spindle shaft at high speed.

Structure thermal displacement compensation

Compensates irregular deflection or expansion of the structure due to ambient temperature using a multiple temperature sensors.





Head Office

19F, 10, Tongil-ro, Jung-gu, Seoul,
Republic of Korea, 04527

Tel: +82-2-6972-0370
Fax: +82-2-6972-0400

DN Solutions America

360 E State PKWY,
Schaumburg, IL. 60173,
United states

Tel: +1-315-265-7500

DN Solutions Europe

Emdener Strasse 24, D-41540
Dormagen, Germany

Tel: +49-2133-5067-100
Fax: +49-2133-5067-111

DN Solutions India

No.82, Jakkuar Village
Yelahanka Hobil,
Bangalore-560064

Tel: +91-80-2205-6900
E-mail: india@dncompany.com

DN Solutions China

Room 101,201,301,
Building 39 Xinzhuan Highway
No.258 Songjiang District
China Shanghai (201612)

Tel: +86 21-5445-1155
Fax: +86 21-6405-1472

DN Solutions Vietnam

M.O.R.E building 2F, 40A-40B Ut
Tich Street, 04 Ward 04,
District Tan Binh District,
Ho Chi Minh City, Vietnam

Tel: +84 28-7304-0163

DN Solutions Mexico

Avenida Parque Bicentenario
#100 Nave M65L3-6,
Fraccionamiento San Isidro
Business Park,
Santa Rosa Jauregui,
Querétaro, México

E-mail: efrain.figueroa@dncompany.com

Sales inquiry

sales@dncompany.com